



KEBDS 90020

KitchenAid 90cm Downdraft Hood Countertop

Website: <http://www.eurotechdesign.co.nz/rangehoods/kitchen-aid/kebds-90020>

NEW

W	D	H
900	120	740

COLOUR

Stainless Steel

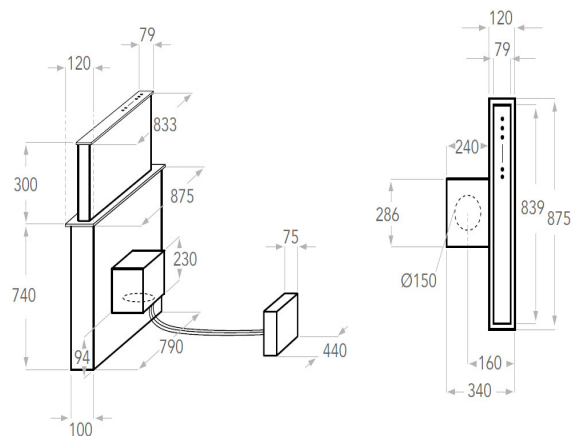
FEATURES

- Touch Control
- 4 Speed Settings
- Safety Systems
- Washable Filters Perimeter
- Stop Function - Anti Pinch
- 2 x Odour Filters
- 1 x Halogen Lights
- Convertible Operation Mode
- Optional Carbon Filter CHF15/1
- PrintShield - Easy to Clean

DETAILS

- Extraction Rate: 713 m3/h
- Total Motor Power: 275 W
- Noise Level: 68/37 dB(A) - Max/Min
- Electrical Loads: 220-240V, 50-60Hz.
- Energy Consumption: 68 kWh/annum boost

CUTOUT



Please see manual for details

WARRANTY

2 Years

Eurotech Design Ltd excludes all liability for errors or omissions, including negligence for any loss incurred in the reliance on the contents of this publication.