



# KEBES 60010

KitchenAid 60cm Built-In Extractor Hood Integrated

**Website:** <http://www.eurotechdesign.co.nz/rangehoods/kitchen-aid/kebes-60010>

\*NEW\*

W	D	H
524	379	379

## COLOUR

Stainless Steel

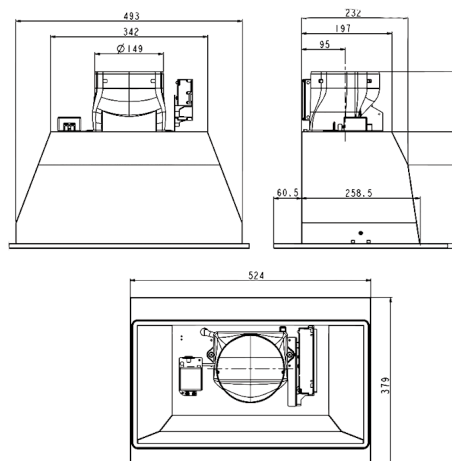
## FEATURES

- Electronic Touch Control
- Antifingerprint Body Material
- 4 Speed Setting w/ Boost Option Available
- On/Off Light Control
- 2 x Halogen Lights
- No Return air-flow Flap
- 1 x Washable Grease Filter
- 2 x Odour Filters

## DETAILS

Extraction Rate: 669 m3/h  
Total Motor Power: 275 W  
Noise Level: 70 dB(A) - Max  
Electrical Loads: 220-240V, 50-60Hz.

## CUTOUT



Please see manual for details

## WARRANTY

2 Years

Eurotech Design Ltd excludes all liability for errors or omissions, including negligence for any loss incurred in the reliance on the contents of this publication.