

KHIP5 90510

KitchenAid 90cm wide 5 Zone Induction Hob

Website: <http://www.eurotechdesign.co.nz/cooktops/kitchen-aid/khip5-90510>

NEW

W	D	H
865	515	56

COLOUR

Black Glass

FEATURES

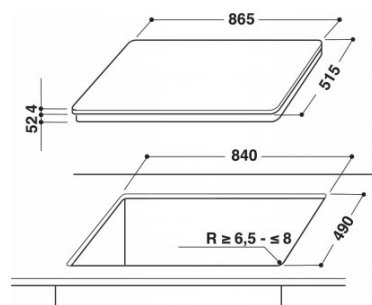
- Electronic Touch Control
- Multifunction Button (Melting, Simmering)
- 2 Bridge Zones
- Dynamic Sensor
- Residual Heat Indicator
- Slide Control
- Timer
- Key Lock
- Overheat Cut Out
- Auto Switch-Off
- Booster Function (5kW)
- Griddle Function (Griddle Included)

DETAILS

Total Power: 10.2kW

Electrical Loads: 220-240V, 50-60Hz

CUTOUT



Please see manual for details

WARRANTY

2 Years

Eurotech Design Ltd excludes all liability for errors or omissions, including negligence for any loss incurred in the reliance on the contents of this publication.