



# KHSP5 77510

KitchenAid 77cm wide 5 Burner Gas Hob

**Website:** <http://www.eurotechdesign.co.nz/cooktops/kitchen-aid/khsp5-77510>

\*NEW\*

W	D	H
770	510	90

## COLOUR

Stainless Steel

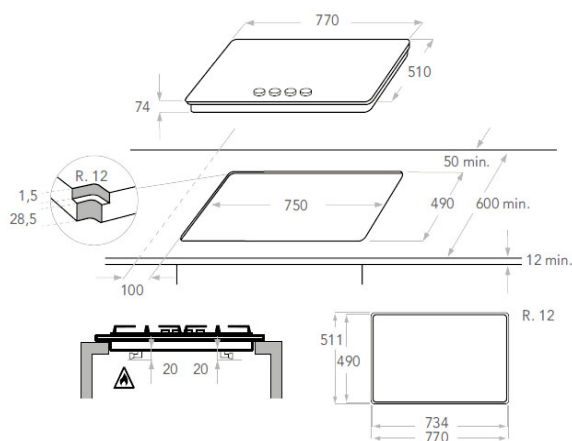
## FEATURES

- Mechanical Control - Front Knobs
- Flush Installation
- Under Knob Ignition System
- 1 Double-Crown Special Burner (5.5kW)
- Brass Burners
- Dishwashable Cast-Iron Trivets
- Wok Adaptor included
- Safety Device

## DETAILS

Total Power: 1330W  
 Electrical Connection Rating: 6000W  
 Gas Connection Rating: 9750W  
 Electrical Loads: 220-240V, 50-60Hz

## CUTOUT



Please see manual for details

## WARRANTY

2 Years

Eurotech Design Ltd excludes all liability for errors or omissions, including negligence for any loss incurred in the reliance on the contents of this publication.