



KHSP5 86510

KitchenAid 86cm wide 5 Burner Gas Hob

Website: <http://www.eurotechdesign.co.nz/cooktops/kitchen-aid/khsp5-86510>

NEW

W	D	H
860	510	90

COLOUR

Stainless Steel

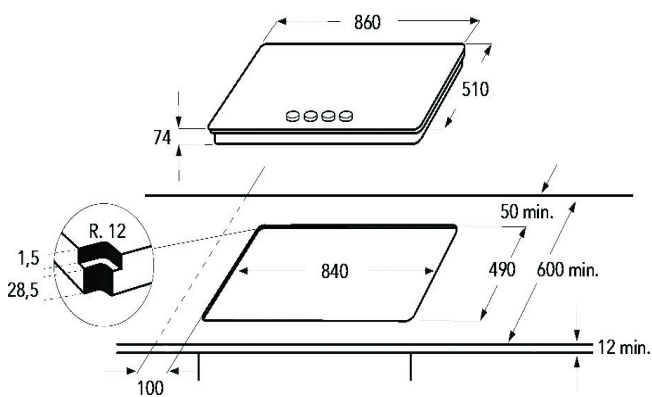
FEATURES

- Mechanical Control - Front Knobs
- Flush Installation
- Under Knob Ignition System
- 1 Double-Crown Special Burner (5.5kW)
- Brass Burners
- Dishwashable Cast-Iron Trivets
- Wok Adaptor included
- Safety Device

DETAILS

Total Power: 1350W
 Electrical Connection Rating: 6000W
 Electrical Loads: 220-240V, 50-60Hz

CUTOUT



Please see manual for details

WARRANTY

2 Years

Eurotech Design Ltd excludes all liability for errors or omissions, including negligence for any loss incurred in the reliance on the contents of this publication.