



# KOTSP 60600

KitchenAid Twelix 60cm Pyrolytic Built-In Oven

**Website:** <http://www.eurotechdesign.co.nz/built-in-ovens/kitchen-aid/kotsp-60600>

\*NEW\*

W	D	H
595	561	595

## COLOUR

Stainless Steel

## FEATURES

Twelix Convection System  
 Multilevel Cooking  
 Pyrolytic Cleaning (4 Glass Door)  
 Soft Closing Door  
 LCD Display  
 Interior Halogen Lighting  
 Accessories - Temperature Probe / Deep Tray /  
 Grid / Turnspit / Dehydration Rack /  
 2 x Baking Trays / 2 x Telescopic Guides

## FUNCTIONS

### 8 Special Functions

Defrost  
 Keep Warm  
 Rising  
 Slow Cooking Meat & Fish  
 Eco-Forced Air  
 Yoghurt Prep  
 Tweli-Base  
 Dehydration

## FUNCTIONS

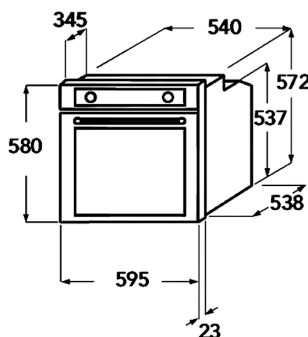
### 6 Traditional Functions

Conventional  
 Grill  
 Turbo Grill  
 Forced Air  
 Convection Bake  
 Fast Preheating  
  
 + Professional Roast, Bakery & Pastry

## DETAILS

Oven Capacity: 73L  
 Electrical Connection: 3650 W  
 Energy Consumption: 0.91 kWh/cycle (Conventional)

## CUTOUT



## WARRANTY

2 Years

Eurotech Design Ltd excludes all liability for errors or omissions, including negligence for any loss incurred in the reliance on the contents of this publication.